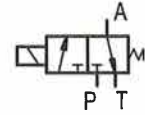
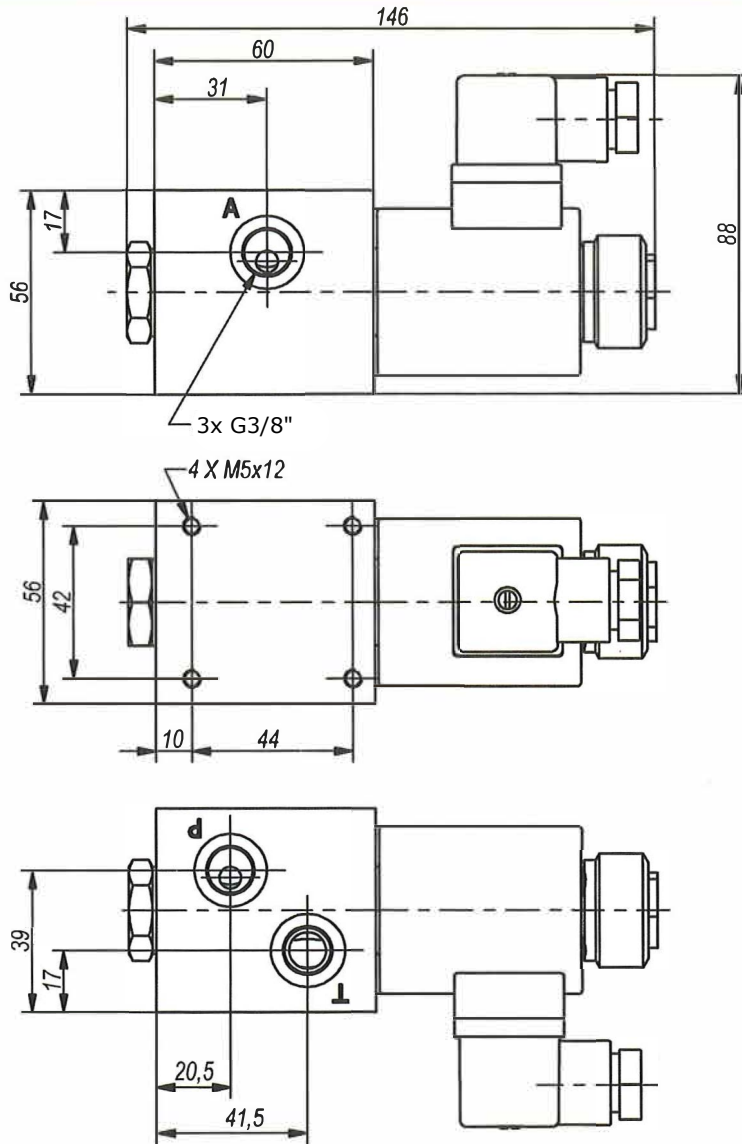
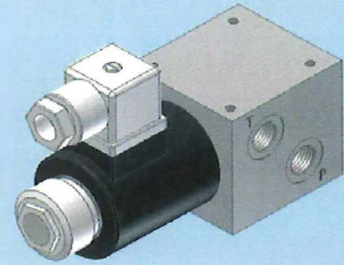


DIRECTIONAL SOLENOID-OPERATED VALVE

RHB 06 - ... P



Type	P _{nom.}	Q _{nom.}	Voltage of operating solenoid
	bar.	L/min.	VDC/VAC
RHB06-12 P	200	30	12 VDC
RHB06-24 P	200	30	24 VDC
RHB06-220	200	30	220 VAC

All performances and calibration are carried out by using hydraulic oil with viscosity approx 46 cSt at 50 °C
 Temperature range: -20...+80 °C
 Filtration absolute: 25 µm

ORDERING CODE

RHB06-12 P

